

Compact String Encoder

Ranges: Up to 50 inches
Incremental Encoder Output
Low Cost • Long Life • Fast Delivery

SE1

Handy Mounting Bracket
 Mounts easily and quickly in several directions

Designed for Cable Misalignment
 Long cable life, even when installation isn't perfect

Polycarbonate Enclosure
 Withstands impacts and chemicals

"Free-Release" Tolerant
 Greatly reduces damage due to mis-handling of cable



The Celesco SE1 is the digital encoder version of our compact String Pot series. The SE1 is an economical and durable device that utilizes a flexible cable, a spring-loaded spool and an incremental optical encoder to detect and measure linear position.

The SE1 is designed for tight spaces, high-cycle applications and generously allows cable misalignment. With a handy mounting bracket included, and 2 basic measurement ranges, the SE1 is a perfect solution for many applications, from light industrial to OEM.

Specification Summary:

GENERAL

Full Stroke Range Options 0-25, 0-50 inches
 Output Signal incremental encoder (quadrature)
 Accuracy ± 0.050 inches
 Repeatability ± 0.025 inches
 Resolution 56.40 ± 32 pulses per inch
 Measuring Cable 0.019-in. dia. nylon-coated stainless steel
 Measuring Cable Tension 7 oz. ($\pm 25\%$)
 Enclosure Material polycarbonate
 Sensor optical encoder
 Weight5 oz. (w/o mounting bracket) max.

ELECTRICAL

Input Voltage 5 VDC
 Input Current 50 mA max.
 Output Driver TTL compatible
 Sink Current 8 mA max.
 Electrical Connection mating plug with 12-inch leads—*included*
 Electrical Connector Molex 53048-0410
 Mating Plug Molex 51021-0400 (shell), 50079-8100 (pins)

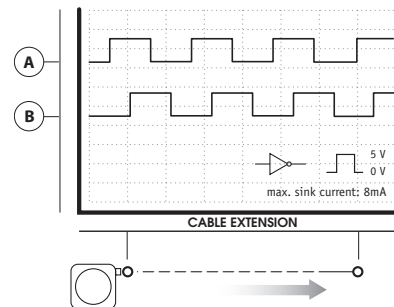
ENVIRONMENTAL

Enclosure IP 50
 Operating Temperature 14° to 185°F (-10° to 85°C)
 Vibration up to 10 G's to 2000 Hz maximum

Ordering Information:

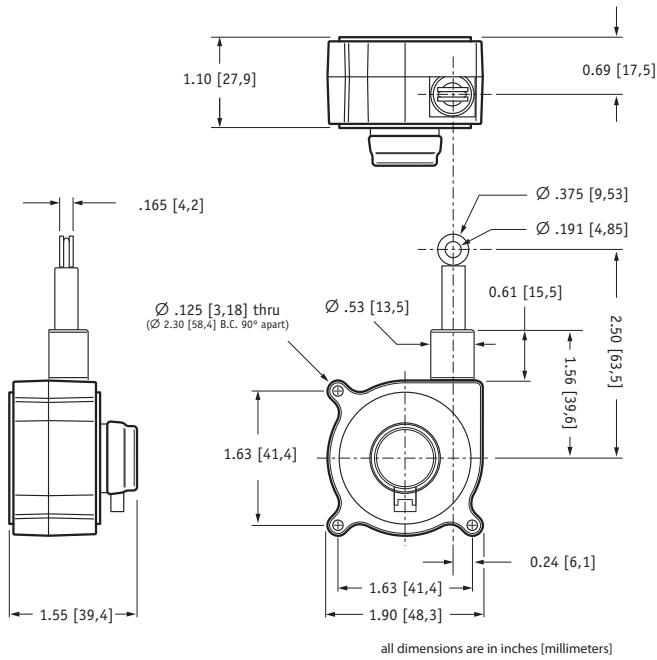
Item Number:	SE1-25	SE1-50
full stroke range:	25 in.	50 in.
accuracy:	$\pm .050$ inches	$\pm .050$ inches
cable tension ($\pm 25\%$):	7 oz.	7 oz.
max. cable acceleration:	15 G	15 G

Output Signal

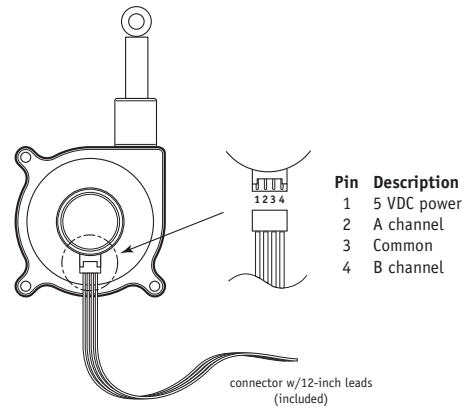


Installation Information:

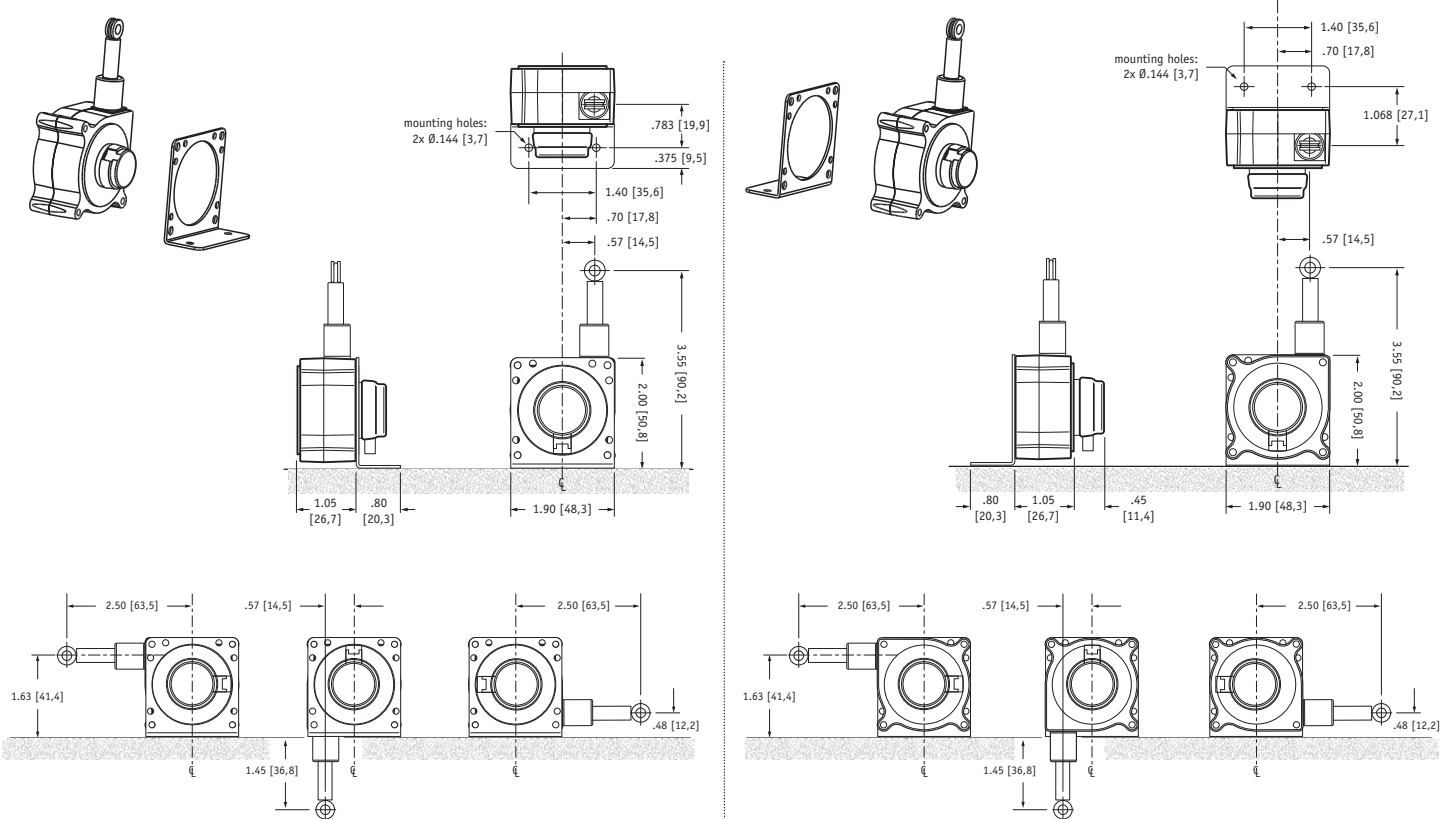
Outline Drawing (w/o bracket):



Electrical Connection:



Mounting Options:



version: 4.1 last updated: May 19, 2009